

SUBMITTAL DATA SHEET
CH-D24MSPHWM-230VI
CH-HYP24SPH230VO

Job Name:
 Location:
 Engineer:
 Submitted to:
 Submitted by:
 Reference:

Date:
 Approval:
 Construction:
 Unit #:
 Drawing #:


PERFORMANCE AND EFFICIENCY

Cooling		Heating	
24,000 Btu/h		24,000 Btu/h	
SEER	20.5	HSPF	11.5
EER	13		

OPERATION TEMPERATURE RANGE

Indoor		Outdoor	
cooling	heating	cooling	heating
62~90°F	32~86°F	-22~122°F	-22~86°F

ELECTRICAL

Power supply	208-230V/ 60Hz, 1Ph
MCA	20
MFA	30

MCA: Minimum Circuit Ampacity

MFA: Max. fuse A

PIPING

Refrigerant piping Liquid side/Gas side	3/8 - 5/8 in
Max. refrigerant pipe length	164 ft
Max. difference in level	82 ft

This warranty should be registered on our web-site www.cooperandhunter.us within 60 days of installation. The warranty is only valid when installed by a Licensed HVAC Technician. A warranty period of Seven (7) years on compressor to the original registered end-user. A warranty period of Five (5) years on all parts to the original registered end user. Warranty applies only to products remaining in their original installation location.


INDOOR SPECIFICATION

Air Flow (Hi/Mi/Lo)	695/624/485 CFM
Noise Level (Hi/Mi/Lo)	51.7/44.5/ 35.1 dB(A)
Unit Dimension (WxDxH)	46.69x10.16x13.39 in
Net/Gross Weight	39.9/53.6 lb

OUTDOOR SPECIFICATION

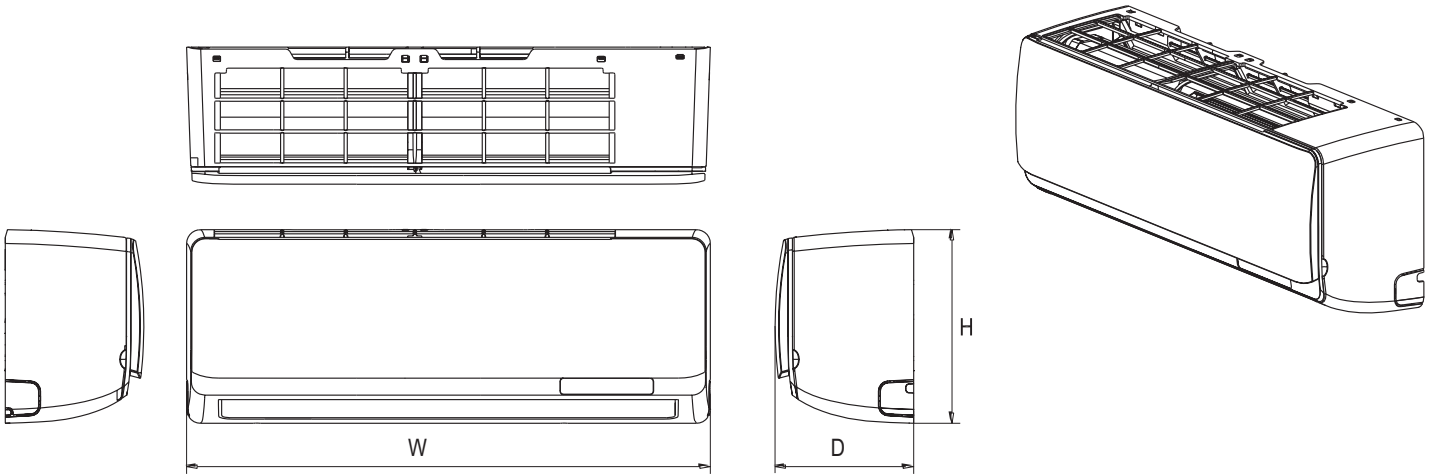
Air flow	2354 CFM
Noise Level	60 dB(A)
Dimension (WxDxH)	37.24x16.14x31.89 in
Net/Gross weight	135.58/148.81 lb
Refrigerant type/Quantity	R410A/91.7 oz
Refrigerant precharge	25 ft
Additional charge for each ft	0.32 oz

SUBMITTAL DATA SHEET

CH-D24MSPHWM-230VI

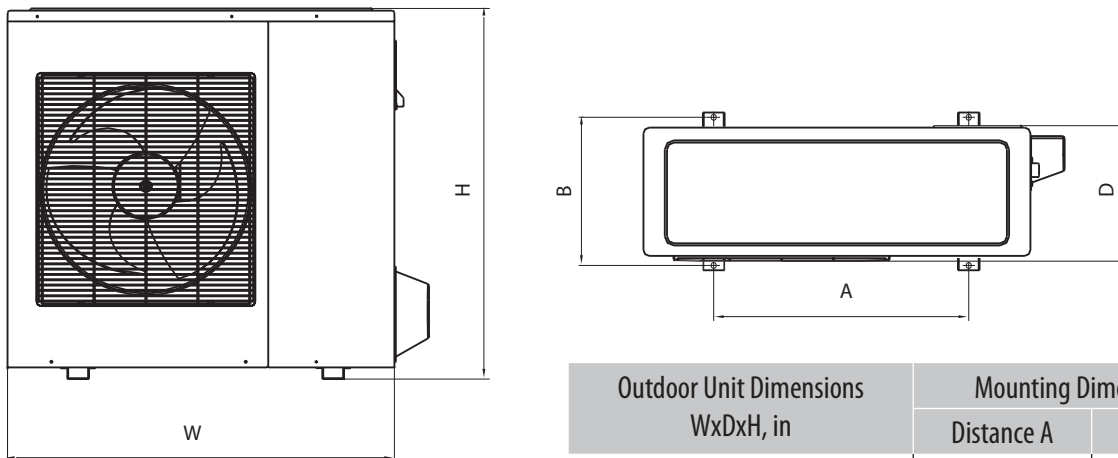
CH-HYP24SPH230VO

INDOOR UNIT



Indoor Unit Dimensions, in		
W	D	H
46.69	10.16	13.39

OUTDOOR UNIT



Outdoor Unit Dimensions WxDxH, in	Mounting Dimensions, in	
	Distance A	Distance B
37.24x16.14x31.89	26.5	15.87