

<b>SUBMITTAL DATA SHEET</b>	<b>CH-48LCFCI</b>	<b>CH-HYP48LCUO</b>
-----------------------------	-------------------	---------------------

Job Name: .....  
 Location: .....  
 Engineer: .....  
 Submitted to: .....  
 Submitted by: .....  
 Reference: .....

Date: .....  
 Approval: .....  
 Construction: .....  
 Unit #: .....  
 Drawing #: .....



### PERFORMANCE AND EFFICIENCY

Cooling		Heating	
48,000 Btu/h		50,000 Btu/h	
SEER	17	HSPF4/HSPF5	10.8/9.1
EER	8.2	COP	2.97

### OPERATION TEMPERATURE RANGE

Indoor		Outdoor	
cooling	heating	cooling	heating
62~90°F	32~86°F	-22~122°F	-22~86°F

### ELECTRICAL

Power supply	208-230V/ 60Hz, 1Ph
MCA	36.3
MFA	50
Indoor fan motor	
Input	95 W
Output	90 W
Outdoor fan motor	
Input	126 W
Output	85 W
Compressor	
Capacity	44,015 Btu/h
Input	3,565 W

**MCA:** Minimum Circuit Ampacity    **MFA:** Max. fuse A    **RLA:** Rated load A

### PIPING

Refrigerant piping Liquid/Gas side	3/8" - 5/8" in
Max. refrigerant pipe length	213 ft
Max. difference in level	98 ft



This warranty should be registered on our web-site [www.cooperandhunter.us](http://www.cooperandhunter.us) within 60 days of installation. The warranty is only valid when installed by a Licensed HVAC Technician. A warranty period of Seven (7) years on compressor to the original registered end-user. A warranty period of Five (5) years on all parts to the original registered end user. Warranty applies only to products remaining in their original installation location.

### INDOOR SPECIFICATION

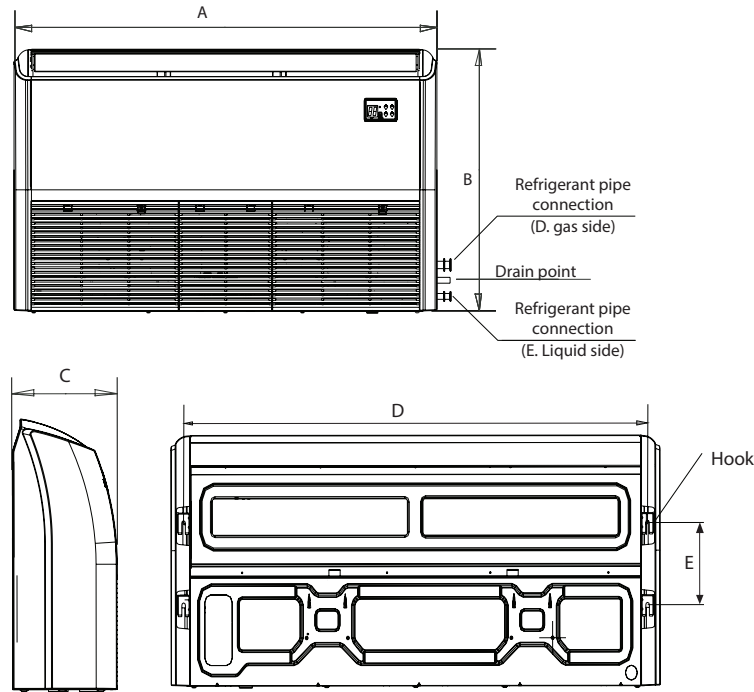
Air Flow (Hi/Mi/Lo)	1350/1120/1000 CFM
Noise Level (Hi/Mi/Lo)	57/54/52 dB(A)
Unit Dimension (W*D*H)	64.96x26.57x9.25 in
Net/Gross Weight	83.78/97 lb

### OUTDOOR SPECIFICATION

Air flow	4470 CFM
Noise Level	65 dB(A)
Dimension (W*D*H)	37.48x16.34x52.48 in
Net/Gross weight	227.07/255.73 lb
Refrigerant type	R410A/148 oz
Refrigerant precharge	25 ft
Additional charge for each ft	0.32 oz

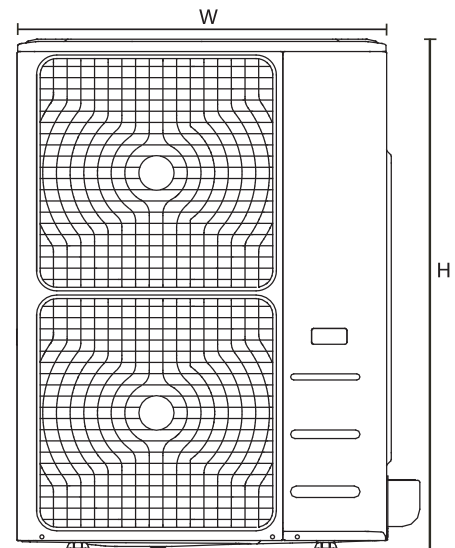
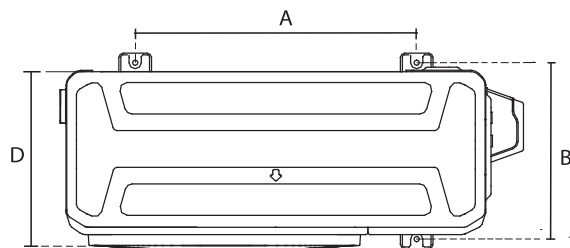
SUBMITTAL DATA SHEET	CH-48LCFCI	CH-HYP48LCUO
----------------------	------------	--------------

### INDOOR UNIT



Model (BTU/h)	A (in)	B (in)	C (in)	D (in)	E (in)
48K	65	26.6	9.3	61.6	8.7

### OUTDOOR UNIT



Outdoor Unit Dimensions WxDxH	Mounting Dimensions	
	Distance A	Distance B
37.48x16.34x52.48	24.96	15.9