



WALL-MOUNTED SERIES SPLIT AIR CONDITIONER WITH HEAT PUMP

Submittal Data Sheet	CH-09SPH-230VI (INDOOR UNIT)	CH-09SPH-230VO (OUTDOOR UNIT)
-----------------------------	---	--

Job Name: _____
 Location: _____
 Engineer: _____
 Submitted to: _____
 Submitted by: _____
 Reference: _____

Date: _____
 Approval: _____
 Construction: _____
 Unit #: _____
 Drawing #: _____



This warranty should be registered on our the web-site www.cooperandhunter.us within 60 days of installation.
 The warranty is only valid when installed by a Licensed HVAC Technician. A warranty period of Seven (7) years on compressor to the original registered end-user.
 A warranty period of Five (5) years on all parts to the original registered end user.
 Warranty applies only to products remaining in their original installation location.

GENERAL FEATURES

- WiFi Ready
- Mute Operation
- Silver ion Filter
- Anti Cold Air
- Sleep Mode
- Cold Catalyst Filter
- 12 Grades Indoor Fan Speeds
- Self Diagnosis Function
- Two-way Draining Connection
- Indoor and Outdoor Anticorrosive Coating GoldFin
- Two Direction Airflow
- Double Level Air Flaps
- High Density Filter
- Turbo Operation
- Refrigerant Leakage Detect

INDOOR SPECIFICATION

Air flow (Hi/Mi/Lo)	265/205/141 CFM
Sound Preasure level (Hi/Mi/Lo)	36.5/30/25 dB(A)
Dimension (WxDxH)	31.57x7.44x11.69 in
Net/Gross weight	18.1/22.0 Lbs

OUTDOOR SPECIFICATION

Air flow	1060 CFM
Sound Preasure level	55.5 dB(A)
Dimension (WxDxH)	30.31x11.81x21.85 in
Net/Gross weight	63.9/69.4 Lbs
Refrigerant type	R410A
Refrigerant precharge	25 ft
Additional charge for each ft	0.16 oz

EFFICIENCY

Cooling		Heating	
SEER	22.8	HSPF4/HSPF5	10.5/8.6
EER	14	COP	3.09

SYSTEM PERFORMANCE

Cooling	
Capacity	9,000 Btu/h
Input	640 W
Rated current	2.9 A

Heating	
Capacity	9,800 Btu/h
Input	930 W
Rated current	4.2 A

OPERATION TEMPERATURE RANGE

Indoor		Outdoor	
cooling	heating	cooling	heating
62 - 90 °F	32 - 86 °F	-13 - 122 °F	-13 - 86 °F

ELECTRICAL

Power supply	208-230V / 60Hz, 1Ph
MCA	10 A
MOCP	13 A
MFA	15 A
Compressor Type	ROTARY
Compressor RLA	5.5 A

MCA: Minimum Circuit Ampacity; MFA: Max. fuse amps;
 MOCP: maximum overcurrent protective device; RLA: Rated load amps.

PIPING

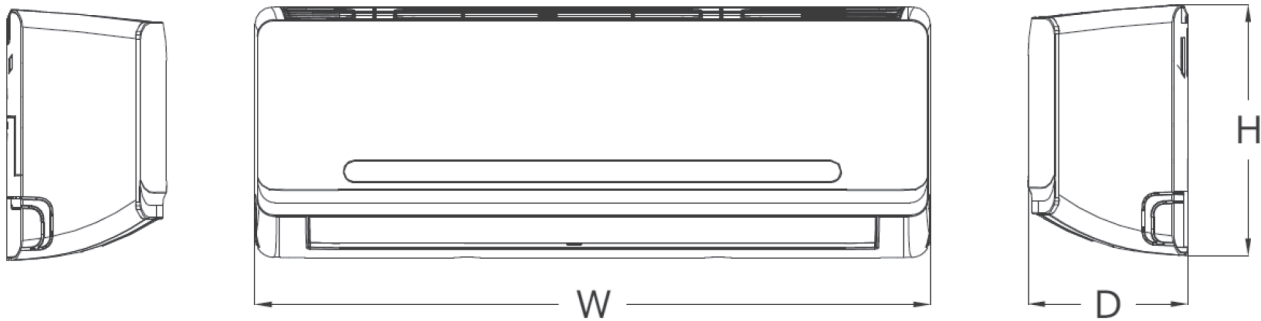
Refrigerant piping Liquid side/ Gas side	1/4" - 3/8" in
Max. refrigerant pipe length	82 ft
Max. difference in level	33 ft

WIRING

Connection wiring	16 AWG/4
Power supply wiring	14 AWG/3

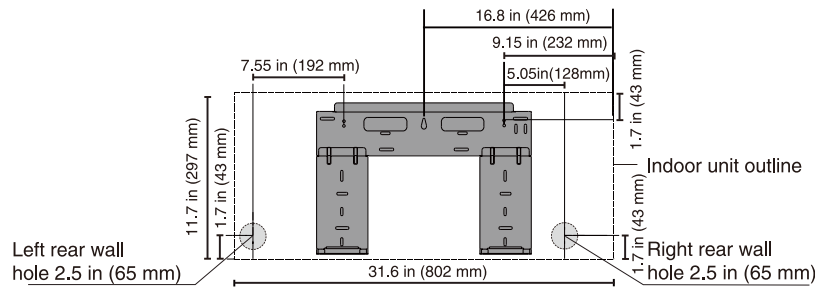
WALL-MOUNTED SERIES SPLIT AIR CONDITIONER WITH HEAT PUMP

INDOOR UNIT CH-09SPH-230VI

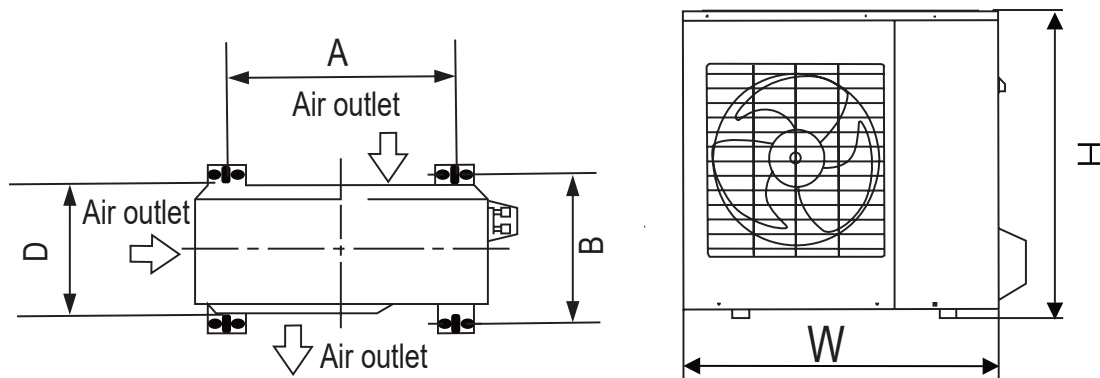


W	D	H
31.57	7.44	11.69

MOUNTING PLATE



OUTDOOR UNIT CH-09SPH-230VO



OUTDOOR UNIT DIMENSIONS (in)	MOUNTING DIMENSIONS	
W x H x D	DISTANCE A (in)	DISTANCE B (in)
30.3" x 21.85" x 11.81"	19.2"	11.73"