



## WALL-MOUNTED SERIES SPLIT AIR CONDITIONER WITH HEAT PUMP

<b>Submittal Data Sheet</b>	<b>CH-12SPH-230VI (INDOOR UNIT)</b>	<b>CH-12SPH-230VO (OUTDOOR UNIT)</b>
-----------------------------	---	--

Job Name: \_\_\_\_\_  
 Location: \_\_\_\_\_  
 Engineer: \_\_\_\_\_  
 Submitted to: \_\_\_\_\_  
 Submitted by: \_\_\_\_\_  
 Reference: \_\_\_\_\_

Date: \_\_\_\_\_  
 Approval: \_\_\_\_\_  
 Construction: \_\_\_\_\_  
 Unit #: \_\_\_\_\_  
 Drawing #: \_\_\_\_\_



This warranty should be registered on our the web-site [www.cooperandhunter.us](http://www.cooperandhunter.us) within 60 days of installation.  
 The warranty is only valid when installed by a Licensed HVAC Technician. A warranty period of Seven (7) years on compressor to the original registered end-user.  
 A warranty period of Five (5) years on all parts to the original registered end user.  
 Warranty applies only to products remaining in their original installation location.

### GENERAL FEATURES

- WiFi Ready
- Mute Operation
- Silver ion Filter
- Anti Cold Air
- Sleep Mode
- Cold Catalyst Filter
- 12 Grades Indoor Fan Speeds
- Self Diagnosis Function
- Two-way Draining Connection
- Indoor and Outdoor Anticorrosive Coating GoldFin
- Two Direction Airflow
- Double Level Air Flaps
- High Density Filter
- Turbo Operation
- Refrigerant Leakage Detect

### INDOOR SPECIFICATION

Air flow (Hi/Mi/Lo)	306/212/147 CFM
Sound Pressure level (Hi/Mi/Lo)	36.5/30/25 dB(A)
Dimension (WxDxH)	31.57x7.44x11.69 in
Net/Gross weight	18.1/22.0 Lbs

### OUTDOOR SPECIFICATION

Air flow	1120 CFM
Sound Pressure level	57.5 dB(A)
Dimension (WxDxH)	31.50x13.11x21.81 in
Net/Gross weight	81.6/88.2 Lbs
Refrigerant type	R410A
Refrigerant precharge	25 ft
Additional charge for each ft	0.16 oz

### EFFICIENCY

Cooling		Heating	
SEER	21.5	HSPF4/HSPF5	9.8/7.7
EER	13	COP	3.24

### SYSTEM PERFORMANCE

Cooling	
Capacity	12,000 Btu/h
Input	923 W
Rated current	4.05 A

Heating	
Capacity	12,000 Btu/h
Input	1085 W
Rated current	4.72 A

### OPERATION TEMPERATURE RANGE

Indoor		Outdoor	
cooling	heating	cooling	heating
62 - 90 °F	32 - 86 °F	-13 - 122 °F	-13 - 86 °F

### ELECTRICAL

Power supply	208-230V / 60Hz, 1Ph
MCA	12 A
MOCP	16 A
MFA	15 A
Compressor Type	ROTARY
Compressor RLA	6.8 A

MCA: Minimum Circuit Ampacity; MFA: Max. fuse amps;  
 MOCP: maximum overcurrent protective device; RLA: Rated load amps.

### PIPING

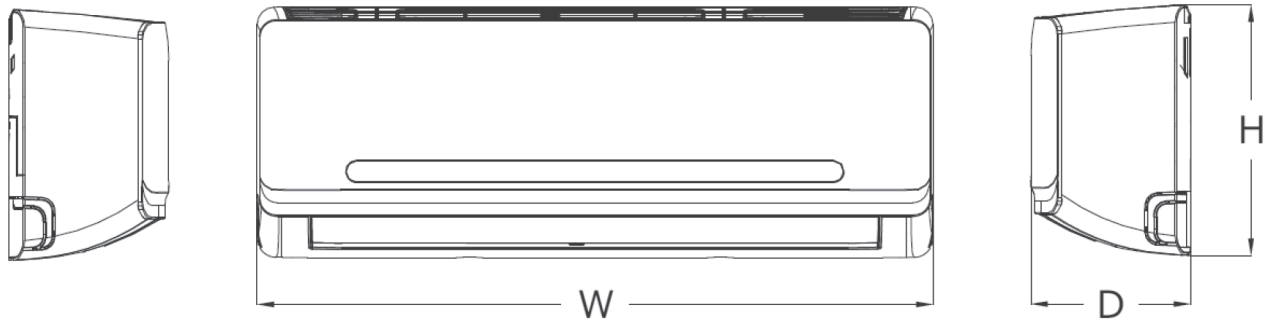
Refrigerant piping Liquid side/Gas side	1/4" - 1/2" in
Max. refrigerant pipe length	82 ft
Max. difference in level	33 ft

### WIRING

Connection wiring	16 AWG/4
Power supply wiring	14 AWG/3

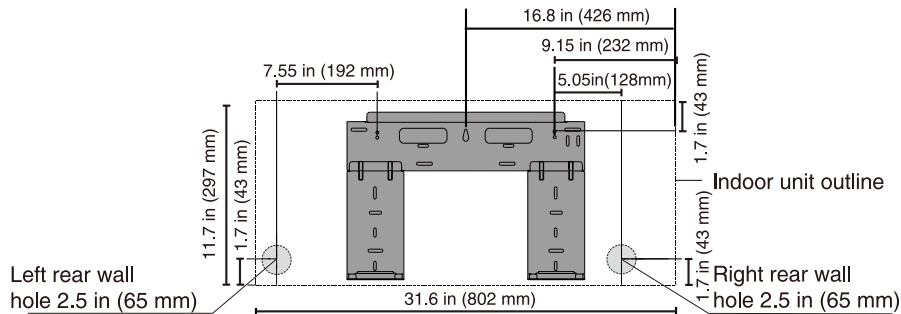
## WALL-MOUNTED SERIES SPLIT AIR CONDITIONER WITH HEAT PUMP

### INDOOR UNIT CH-12SPH-230VI

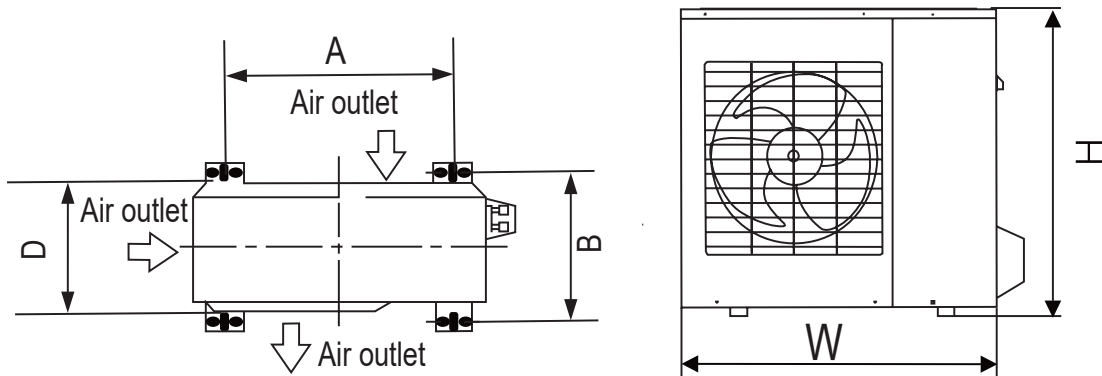


W	D	H
31.57	7.44	11.69

### MOUNTING PLATE



### OUTDOOR UNIT CH-12SPH-230VO



OUTDOOR UNIT DIMENSIONS (in)	MOUNTING DIMENSIONS	
W x H x D	DISTANCE A (in)	DISTANCE B (in)
31.50" x 21.81" x 13.11"	20.24"	13.39"