



WALL-MOUNTED SERIES SPLIT AIR CONDITIONER WITH HEAT PUMP

Submittal Data Sheet	CH-18SPH-230VI (INDOOR UNIT)	CH-18SPH-230VO (OUTDOOR UNIT)
-----------------------------	---	--

Job Name: _____
 Location: _____
 Engineer: _____
 Submitted to: _____
 Submitted by: _____
 Reference: _____

Date: _____
 Approval: _____
 Construction: _____
 Unit #: _____
 Drawing #: _____



EFFICIENCY

Cooling		Heating	
SEER	20.8	HSPF4/HSPF5	10/8
EER	13	COP	3.36

SYSTEM PERFORMANCE

Cooling	
Capacity	18,000 Btu/h
Input	1384 W
Rated current	6.01 A

Heating	
Capacity	18,000 Btu/h
Input	1570 W
Rated current	6.82 A

OPERATION TEMPERATURE RANGE

Indoor		Outdoor	
cooling	heating	cooling	heating
62 - 90 °F	32 - 86 °F	-13 - 122 °F	-13 - 86 °F

ELECTRICAL

Power supply	208-230V / 60Hz, 1Ph
MCA	15 A
MOCP	23.5 A
MFA	20 A
Compressor Type	ROTARY
Compressor RLA	10 A

MCA: Minimum Circuit Ampacity; MFA: Max. fuse amps;
 MOCP: maximum overcurrent protective device; RLA: Rated load amps.

PIPING

Refrigerant piping Liquid side/ Gas side	1/4" - 1/2" in
Max. refrigerant pipe length	98 ft
Max. difference in level	66 ft

WIRING

Connection wiring	16 AWG/4
Power supply wiring	14 AWG/3

This warranty should be registered on our the web-site www.cooperandhunter.us within 60 days of installation.
 The warranty is only valid when installed by a Licensed HVAC Technician. A warranty period of Seven (7) years on compressor to the original registered end-user.
 A warranty period of Five (5) years on all parts to the original registered end user.
 Warranty applies only to products remaining in their original installation location.

GENERAL FEATURES

- WiFi Ready
- Mute Operation
- Silver ion Filter
- Anti Cold Air
- Sleep Mode
- Cold Catalyst Filter
- 12 Grades Indoor Fan Speeds
- Self Diagnosis Function
- Two-way Draining Connection
- Indoor and Outdoor Anticorrosive Coating GoldFin
- Two Direction Airflow
- Double Level Air Flaps
- High Density Filter
- Turbo Operation
- Refrigerant Leakage Detect

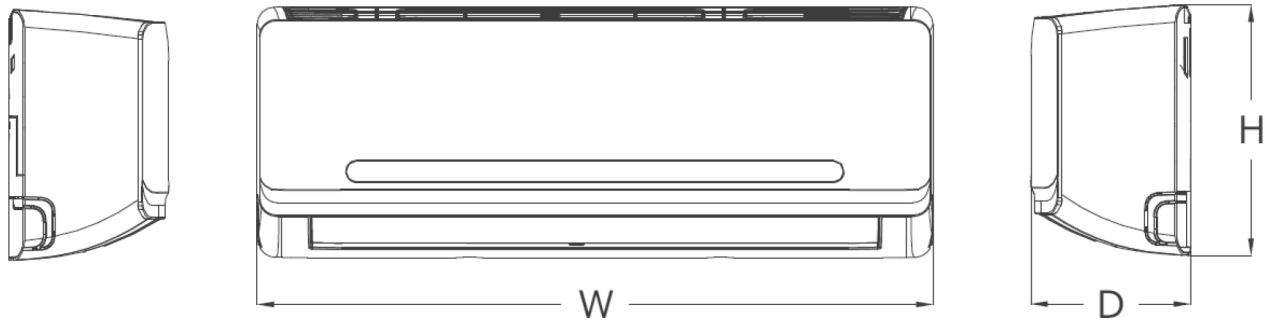
INDOOR SPECIFICATION

Air flow (Hi/Mi/Lo)	559/365/306 CFM
Sound Pressure level (Hi/Mi/Lo)	43/38/32 dB(A)
Dimension (WxDxH)	42.52x8.90x13.19 in
Net/Gross weight	29.1/37.0 Lbs

OUTDOOR SPECIFICATION

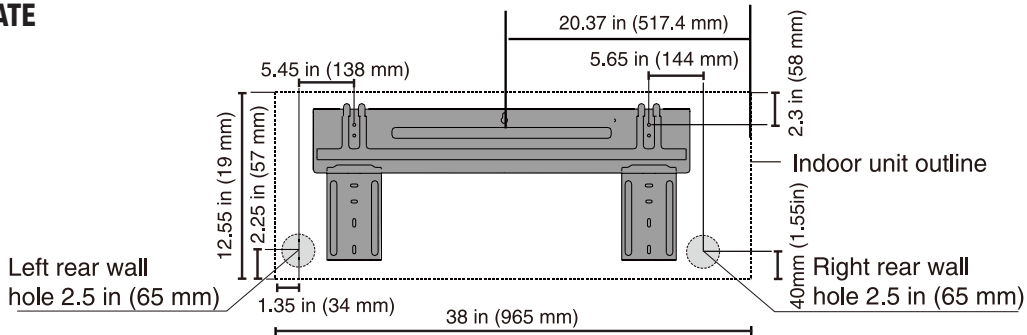
Air flow	1470 CFM
Sound Pressure level	61 dB(A)
Dimension (WxDxH)	33.27x14.29x27.64 in
Net/Gross weight	101.0/108.2 Lbs
Refrigerant type	R410A
Refrigerant precharge	25 ft
Additional charge for each ft	0.16 oz

INDOOR UNIT CH-18SPH-230VI

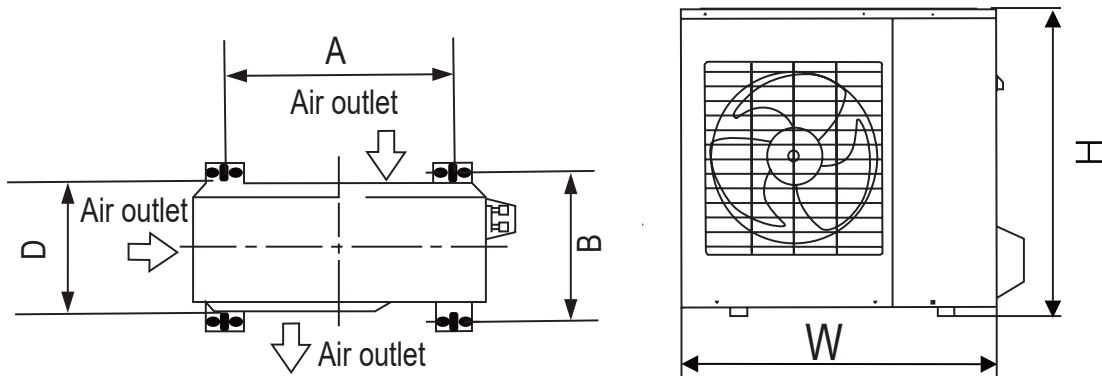


W	D	H
42.52	8.90	13.19

MOUNTING PLATE



OUTDOOR UNIT CH-18SPH-230VO



OUTDOOR UNIT DIMENSIONS (in)	MOUNTING DIMENSIONS	
W x H x D	DISTANCE A (in)	DISTANCE B (in)
33.27" x 27.64" x 14.64"	21.26"	13.80"