



WALL-MOUNTED SERIES SPLIT AIR CONDITIONER WITH HEAT PUMP

Submittal Data Sheet	CH-24SPH-230VI (INDOOR UNIT)	CH-24SPH-230VO (OUTDOOR UNIT)
-----------------------------	-----------------------------------------	------------------------------------------

Job Name: _____
 Location: _____
 Engineer: _____
 Submitted to: _____
 Submitted by: _____
 Reference: _____

Date: _____
 Approval: _____
 Construction: _____
 Unit #: _____
 Drawing #: _____



EFFICIENCY

Cooling		Heating	
SEER	20.5	HSPF4/HSPF5	10/8.3
EER	12.5	COP	3.17

SYSTEM PERFORMANCE

Cooling	
Capacity	24,000 Btu/h
Input	1920 W
Rated current	8.4 A

Heating	
Capacity	25,000 Btu/h
Input	2315 W
Rated current	10.1 A

OPERATION TEMPERATURE RANGE

Indoor		Outdoor	
cooling	heating	cooling	heating
62 - 90 °F	32 - 86 °F	-13 - 122 °F	-13 - 86 °F

ELECTRICAL

Power supply	208-230V / 60Hz, 1Ph
MCA	18 A
MOCP	28 A
MFA	25 A
Compressor Type	ROTARY
Compressor RLA	12 A

MCA: Minimum Circuit Ampacity; MFA: Max, fuse amps;
 MOCP: maximum overcurrent protective device; RLA: Rated load amps,

PIPING

Refrigerant piping Liquid side/ Gas side	3/8" - 5/8" in
Max, refrigerant pipe length	164 ft
Max, difference in level	82 ft

WIRING

Connection wiring	16 AWG/4
Power supply wiring	14 AWG/3

This warranty should be registered on our the web-site www.cooperandhunter.us within 60 days of installation.

The warranty is only valid when installed by a Licensed HVAC Technician. A warranty period of Seven (7) years on compressor to the original registered end-user. A warranty period of Five (5) years on all parts to the original registered end user. Warranty applies only to products remaining in their original installation location.

GENERAL FEATURES

- WiFi Ready
- Mute Operation
- Silver ion Filter
- Anti Cold Air
- Sleep Mode
- Cold Catalyst Filter
- 12 Grades Indoor Fan Speeds
- Self Diagnosis Function
- Two-way Draining Connection
- Indoor and Outdoor Anticorrosive Coating GoldFin
- Two Direction Airflow
- Double Level Air Flaps
- High Density Filter
- Turbo Operation
- Refrigerant Leakage Detect

INDOOR SPECIFICATION

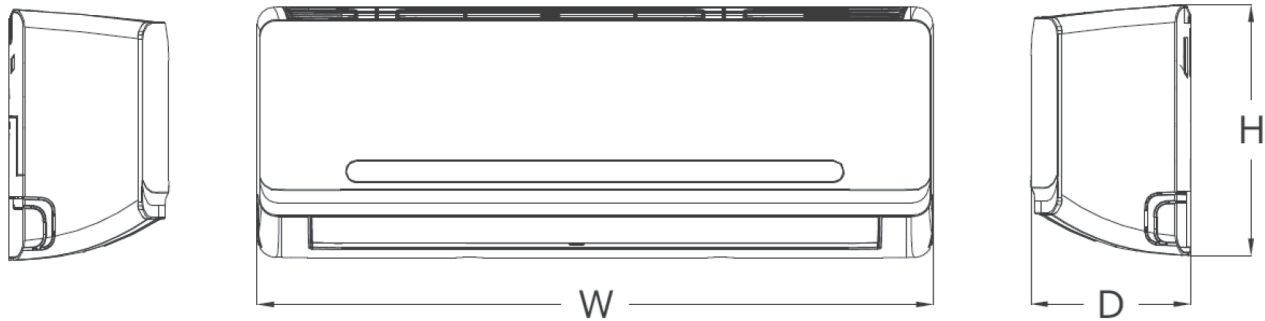
Air flow (Hi/Mi/Lo)	618/471/324 CFM
Sound Pressure level (Hi/Mi/Lo)	47.5/42/33 dB(A)
Dimension (WxDxH)	42.52x8.90x13.19 in
Net/Gross weight	29.1/37.0 Lbs

OUTDOOR SPECIFICATION

Air flow	2355 CFM
Sound Pressure level	61 dB(A)
Dimension (WxDxH)	37.24x16.14x31.89 in
Net/Gross weight	136.69/147.27 Lbs
Refrigerant type	R410A
Refrigerant precharge	25 ft
Additional charge for each ft	0.322 oz

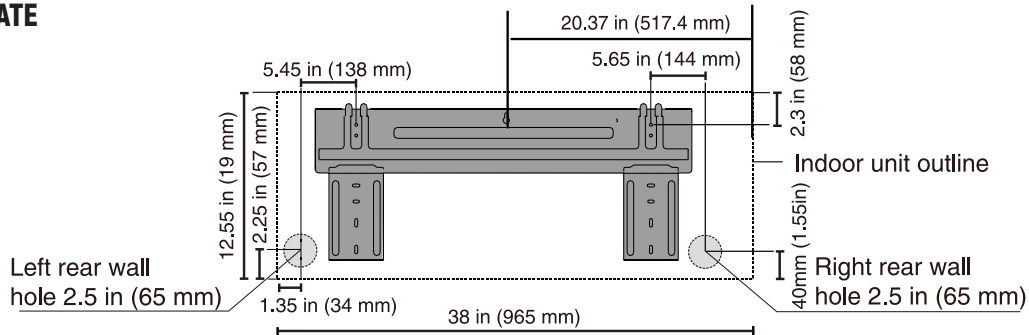
WALL-MOUNTED SERIES SPLIT AIR CONDITIONER WITH HEAT PUMP

INDOOR UNIT CH-24SPH-230VI

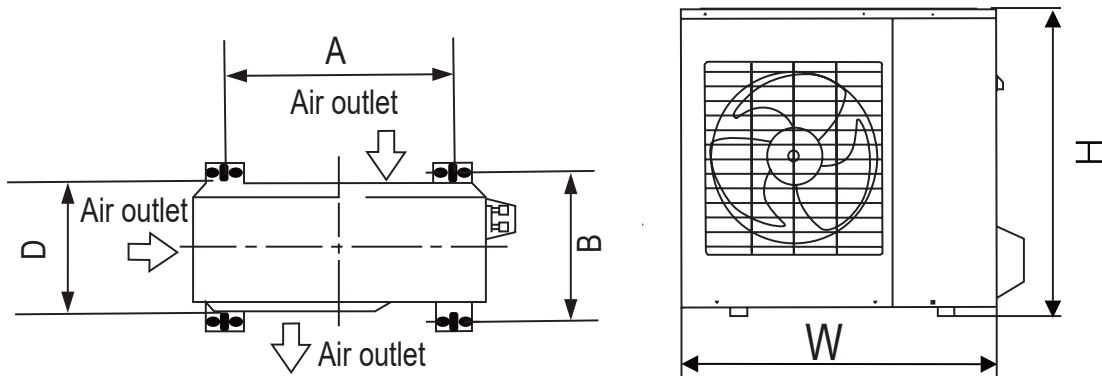


W	D	H
42.52	8.90	13.19

MOUNTING PLATE



OUTDOOR UNIT CH-24SPH-230VO



OUTDOOR UNIT DIMENSIONS (in)	MOUNTING DIMENSIONS	
W x H x D	DISTANCE A (in)	DISTANCE B (in)
37.24" x 31.89" x 16.14"	25.20"	15.95"