



## WALL-MOUNTED SERIES SPLIT AIR CONDITIONER WITH HEAT PUMP

<b>Submittal Data Sheet</b>	<b>CH-30SPH-230VI (INDOOR UNIT)</b>	<b>CH-30SPH-230VO (OUTDOOR UNIT)</b>
-----------------------------	---	--

Job Name: \_\_\_\_\_  
 Location: \_\_\_\_\_  
 Engineer: \_\_\_\_\_  
 Submitted to: \_\_\_\_\_  
 Submitted by: \_\_\_\_\_  
 Reference: \_\_\_\_\_

Date: \_\_\_\_\_  
 Approval: \_\_\_\_\_  
 Construction: \_\_\_\_\_  
 Unit #: \_\_\_\_\_  
 Drawing #: \_\_\_\_\_



### EFFICIENCY

Cooling		Heating	
SEER	18	HSPF4/HSPF5	9.6/8.1
EER	10.5	COP	2.83

### SYSTEM PERFORMANCE

Cooling	
Capacity	30,000 Btu/h
Input	2857 W
Rated current	12.5 A

Heating	
Capacity	30,000 Btu/h
Input	3110 W
Rated current	13.5 A

### OPERATION TEMPERATURE RANGE

Indoor		Outdoor	
cooling	heating	cooling	heating
62 - 90 °F	32 - 86 °F	5 - 122 °F	-5 - 86 °F

### ELECTRICAL

Power supply	208-230V / 60Hz, 1Ph
MCA	20 A
MOCP	34.9 A
MFA	30 A
Compressor Type	ROTARY
Compressor RLA	15 A

MCA: Minimum Circuit Ampacity; MFA: Max. fuse amps;  
 MOCP: maximum overcurrent protective device; RLA: Rated load amps.

### PIPING

Refrigerant piping Liquid side/ Gas side	3/8" - 5/8" in
Max. refrigerant pipe length	164 ft
Max. difference in level	82 ft

### WIRING

Connection wiring	16 AWG/4
Power supply wiring	-

This warranty should be registered on our the web-site [www.cooperandhunter.us](http://www.cooperandhunter.us) within 60 days of installation.  
 The warranty is only valid when installed by a Licensed HVAC Technician. A warranty period of Seven (7) years on compressor to the original registered end-user.  
 A warranty period of Five (5) years on all parts to the original registered end user.  
 Warranty applies only to products remaining in their original installation location.

### GENERAL FEATURES

- WiFi Ready
- Mute Operation
- Silver ion Filter
- Anti Cold Air
- Sleep Mode
- Cold Catalyst Filter
- 12 Grades Indoor Fan Speeds
- Self Diagnosis Function
- Two-way Draining Connection
- Indoor and Outdoor Anticorrosive Coating GoldFin
- Two Direction Airflow
- Double Level Air Flaps
- High Density Filter
- Turbo Operation
- Refrigerant Leakage Detect

### INDOOR SPECIFICATION

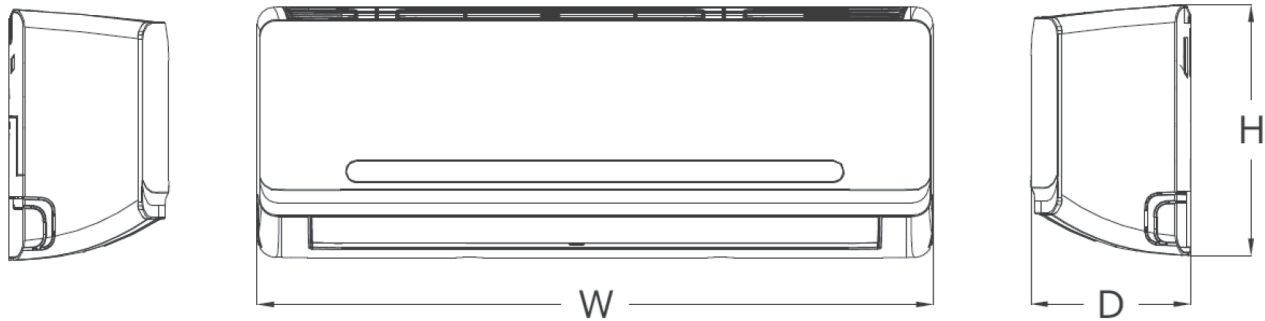
Air flow (Hi/Mi/Lo)	795/618/471 CFM
Sound Pressure level (Hi/Mi/Lo)	52/44/35 dB(A)
Dimension (WxDxH)	49.57x11.10x14.25 in
Net/Gross weight	43.2/55.6 Lbs

### OUTDOOR SPECIFICATION

Air flow	2530 CFM
Sound Pressure level	62 dB(A)
Dimension (WxDxH)	37.24x16.14x31.89 in
Net/Gross weight	137.79/147.71 Lbs
Refrigerant type	R410A
Refrigerant precharge	25 ft
Additional charge for each ft	0.322 oz

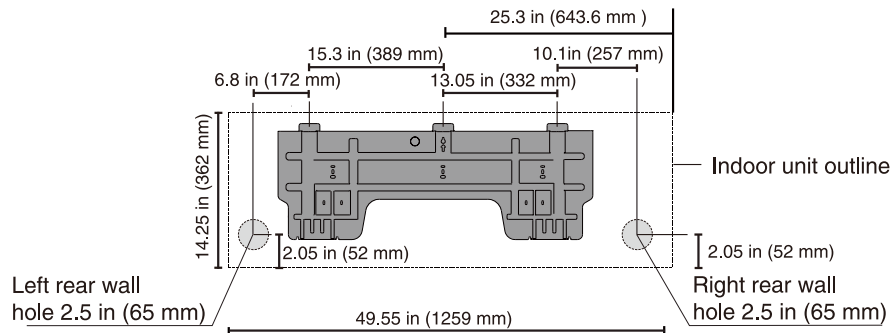
## WALL-MOUNTED SERIES SPLIT AIR CONDITIONER WITH HEAT PUMP

### INDOOR UNIT CH-30SPH-230VI

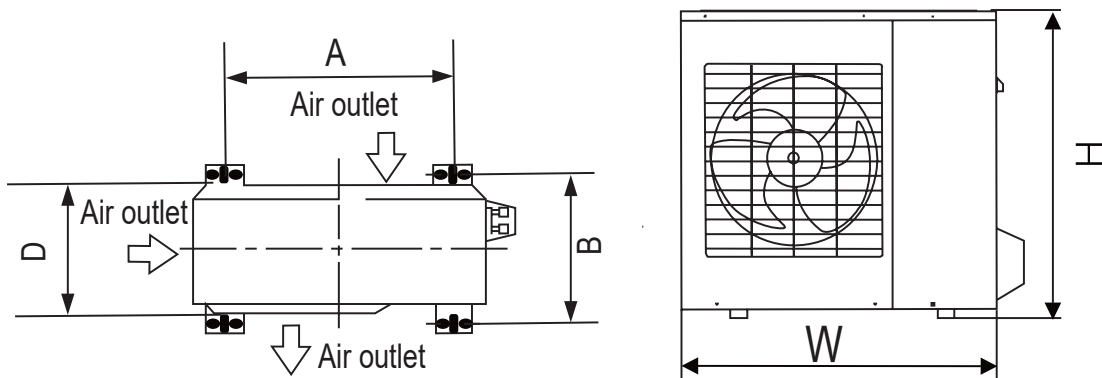


W	D	H
49.57	11.10	14.25

### MOUNTING PLATE



### OUTDOOR UNIT CH-30SPH-230VO



OUTDOOR UNIT DIMENSIONS (in)	MOUNTING DIMENSIONS	
W x H x D	DISTANCE A (in)	DISTANCE B (in)
37.24" x 31.89" x 16.14"	25.20"	15.95"