

SUBMITTAL DATA SHEET	CH-48LCDTUI	CH-HYP48LCUO
-----------------------------	--------------------	---------------------

Job Name:
 Location:
 Engineer:
 Submitted to:
 Submitted by:
 Reference:

Date:
 Approval:
 Construction:
 Unit #:
 Drawing #:



PERFORMANCE AND EFFICIENCY

Cooling		Heating	
48,000 Btu/h		48,000 Btu/h	
16	HSPF4/HSPF5	11.1/9.7	10.7/9.2
8.7	COP	3.05	2.93

OPERATION TEMPERATURE RANGE

Indoor		Outdoor	
cooling	heating	cooling	heating
62~90°F	32~86°F	-22~122°F	-22~86°F

ELECTRICAL

Power supply	208-230V/ 60Hz, 1Ph
MCA	36.3
MFA	50
Indoor fan motor	
Input	560 W
Output	560 W
Outdoor fan motor	
Input	126 W
Output	85 W
Compressor	
Capacity	44,015 Btu/h
Input	3,565 W

MCA: Minimum Circuit Ampacity **MFA:** Max. fuse A **RLA:** Rated load A

PIPING

Refrigerant piping Liquid/Gas side	3/8" - 5/8" in
Max. refrigerant pipe length	213 ft
Max. difference in level	98 ft



This warranty should be registered on our web-site www.cooperandhunter.us within 60 days of installation. The warranty is only valid when installed by a Licensed HVAC Technician. A warranty period of Seven (7) years on compressor to the original registered end-user. A warranty period of Five (5) years on all parts to the original registered end user. Warranty applies only to products remaining in their original installation location.

INDOOR SPECIFICATION

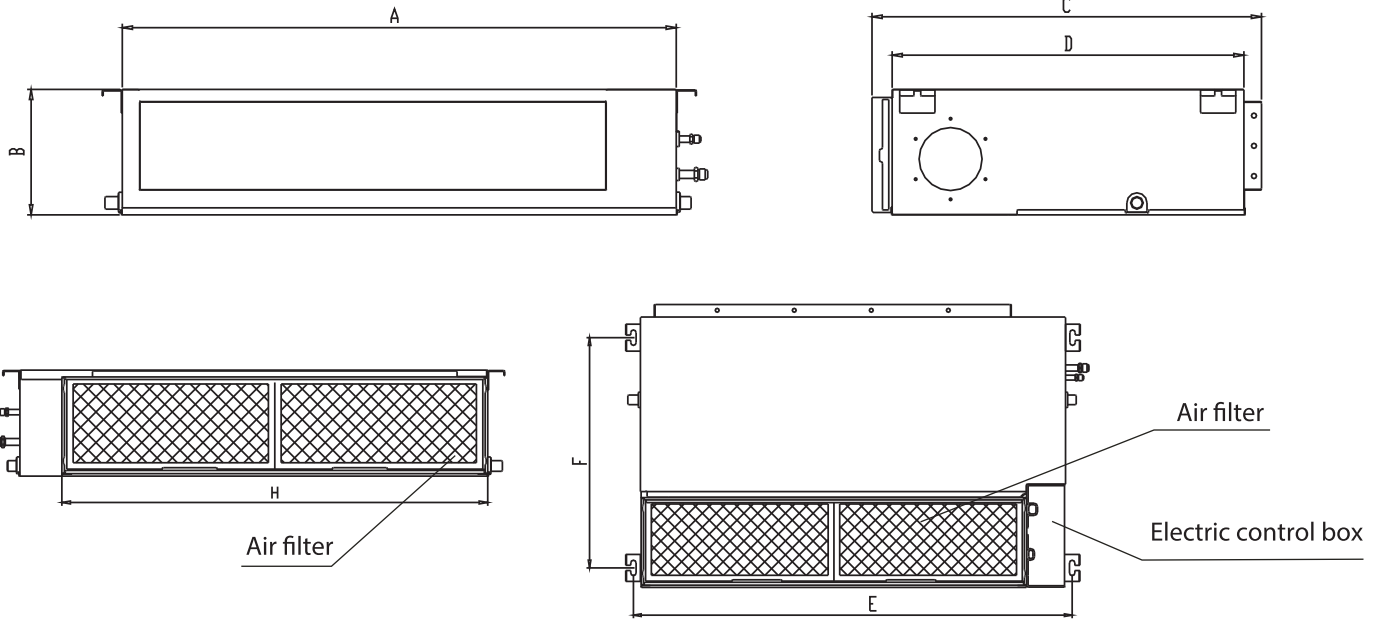
Air Flow (Hi/Mi/Lo)	1229/1032/715 CFM
Noise Level (Hi/Mi/Lo)	54.5/50.5/47.5 dB(A)
Unit Dimension (W*D*H)	47.24x34.41x11.81 in
Net/Gross Weight	120/142 lb

OUTDOOR SPECIFICATION

Air flow	4470 CFM
Noise Level	65 dB(A)
Dimension (W*D*H)	37.48x16.34x52.48 in
Net/Gross weight	227.07/255.73 lb
Refrigerant type	R410A/148 oz
Refrigerant precharge	25 ft
Additional charge for each ft	0.32 oz

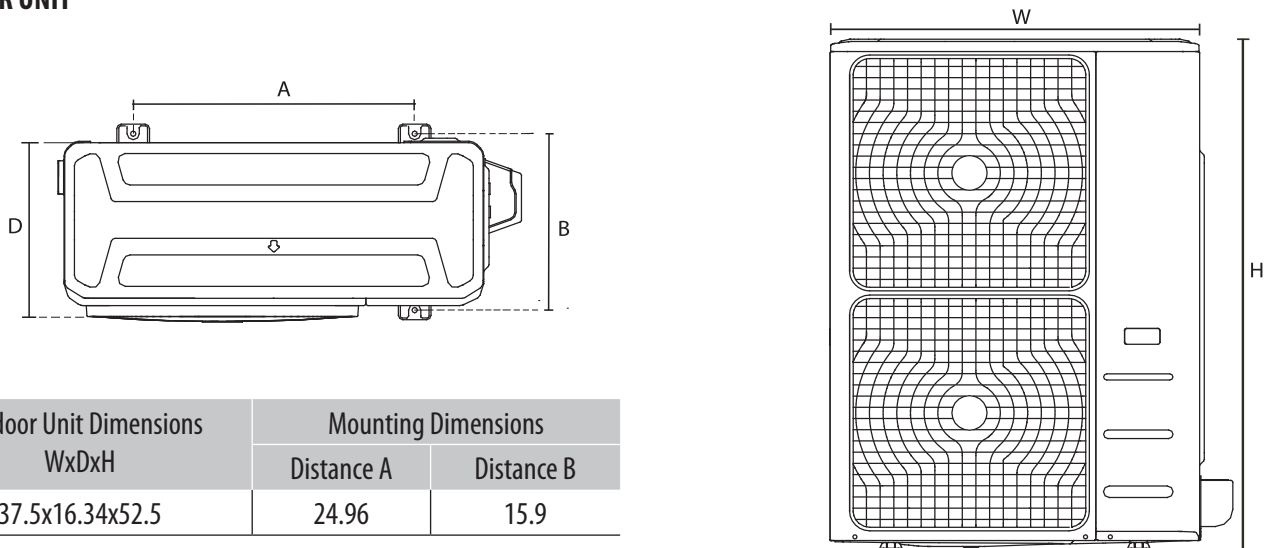
SUBMITTAL DATA SHEET	CH-48LCDTUI	CH-HYP48LCU0
----------------------	-------------	--------------

INDOOR UNIT



Model (BTU/h)	Outline dimension				Size of mounted lug	
	A	B	C	D	E	F
48K	47.24	11.81	34.41	31.5	48.8	19.5

OUTDOOR UNIT



Outdoor Unit Dimensions WxDxH	Mounting Dimensions	
	Distance A	Distance B
37.5x16.34x52.5	24.96	15.9