

SUBMITTAL DATA SHEET	CH-18MSPHFC-230VI	CH-HYP18SPH230VO
-----------------------------	--------------------------	-------------------------

Job Name:
 Location:
 Engineer:
 Submitted to:
 Submitted by:
 Reference:

Date:
 Approval:
 Construction:
 Unit #:
 Drawing #:



PERFORMANCE AND EFFICIENCY

Cooling		Heating	
17,000 Btu/h		18,000 Btu/h	
SEER	19.9	HSPF	10.6
EER	12.5		

OPERATION TEMPERATURE RANGE

Indoor		Outdoor	
cooling	heating	cooling	heating
62~90°F	32~86°F	-22~122°F	-22~86°F

ELECTRICAL

Power supply	208-230V/ 60Hz, 1Ph
MCA	18 A
MFA	25 A

MCA: Minimum Circuit Ampacity **MFA:** Max. fuse A

PIPING

Refrigerant piping Liquid side/Gas side	1/4 - 1/2 in
Max. refrigerant pipe length	98 ft
Max. difference in level	66 ft

This warranty should be registered on our web-site www.cooperandhunter.us within 60 days of installation. The warranty is only valid when installed by a Licensed HVAC Technician. A warranty period of Seven (7) years on compressor to the original registered end-user. A warranty period of Five (5) years on all parts to the original registered end user. Warranty applies only to products remaining in their original installation location.



INDOOR SPECIFICATION

Air Flow (Hi/Mi/Lo)	578/521/465 CFM
Noise Level (Hi/Mi/Lo)	47/44/39 dB(A)
Unit Dimension (WxDxH)	42.05x26.57x9.25 in
Net/Gross Weight	55.12/65.48 lb

OUTDOOR SPECIFICATION

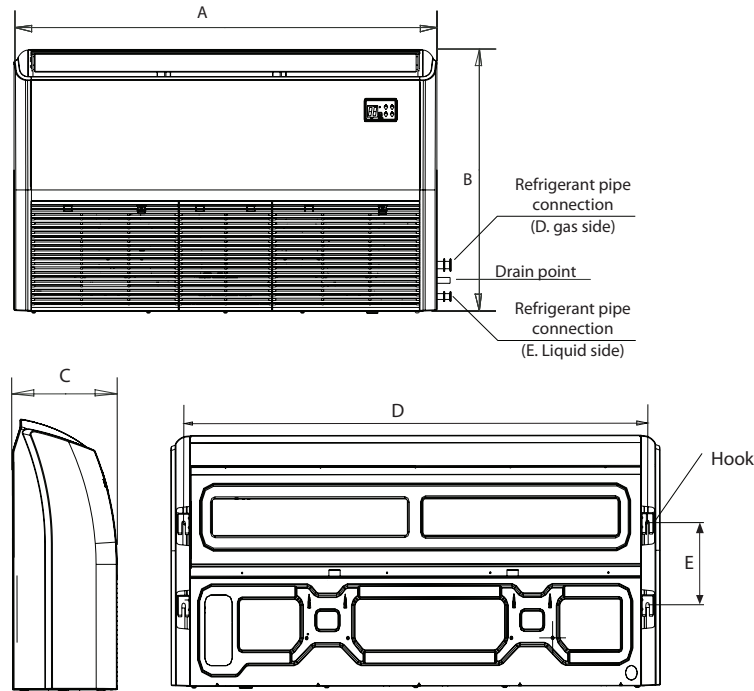
Air flow	1355 CFM
Noise Level	57.5 dB(A)
Dimension (WxDxH)	33.27x14.29x27.64 in
Net/Gross weight	107.4/115.1 lb
Refrigerant type/Quantity	R410A/68.8 oz
Refrigerant precharge	25 ft
Additional charge for each ft	0.16 oz

SUBMITTAL DATA SHEET

CH-18MSPHFC-230VI

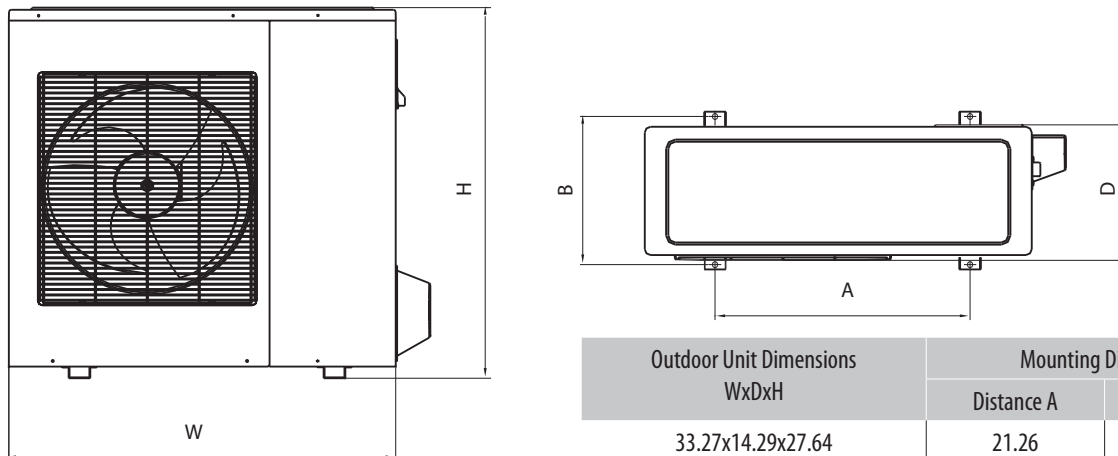
CH-HYP18SPH230VO

INDOOR UNIT



Unit Dimensions, in			Mounting Dimensions, in	
A	B	C	D	E
42.05	26.57	9.25	38.7	8.7

OUTDOOR UNIT



Outdoor Unit Dimensions WxDxH	Mounting Dimensions	
	Distance A	Distance B
33.27x14.29x27.64	21.26	13.80