

SUBMITTAL DATA SHEET	CH-NG12MIA115VI	CH-NG12MIA115VO
----------------------	-----------------	-----------------

Job Name: .....  
 Location: .....  
 Engineer: .....  
 Submitted to: .....  
 Submitted by: .....  
 Reference: .....

Date: .....  
 Approval: .....  
 Construction: .....  
 Unit #: .....  
 Drawing #: .....



### PERFORMANCE AND EFFICIENCY

Cooling		Heating	
12,000 Btu/h		12,000 Btu/h	
SEER	19	HSPF4/ HSPF5	9.5/7.8
EER	10.5	COP	3.43

### OPERATION TEMPERATURE RANGE

Indoor		Outdoor	
cooling	heating	cooling	heating
62~90°F	32~86°F	5~122°F	5~86°F

### ELECTRICAL


Power supply	208-230V/ 60Hz, 1Ph
MCA	15 A
MFA	20 A

**MCA:** Minimum Circuit Ampacity

**MFA:** Max. fuse A

### PIPING

Refrigerant piping Liquid side/Gas side	1/4 - 1/2 in
Max. refrigerant pipe length	82 ft
Max. difference in level	33 ft



This warranty should be registered on our web-site [www.cooperandhunter.us](http://www.cooperandhunter.us) within 60 days of installation. The warranty is only valid when installed by a Licensed HVAC Technician. A warranty period of Seven (7) years on compressor to the original registered end-user. A warranty period of Five (5) years on all parts to the original registered end user. Warranty applies only to products remaining in their original installation location.

### INDOOR SPECIFICATION

Air Flow (Hi/Mi/Lo)	294/212/171 CFM
Noise Level (Hi/Mi/Lo)	38/30/28 dB(A)
Unit Dimension (WxDxH)	31.57x7.44x11.69 in
Net/Gross Weight	18.96/24.91 lb

### OUTDOOR SPECIFICATION

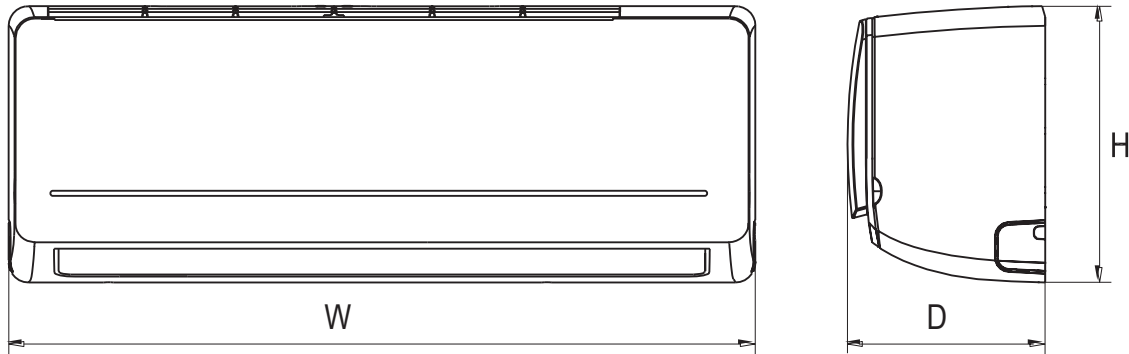
Air flow	1176 CFM
Noise Level	55 dB(A)
Dimension (WxDxH)	31.5x13.1x21.8 in
Net/Gross weight	67.0/72.75 lb
Refrigerant type/Quantity	R410A/29.63 oz
Refrigerant precharge	25 ft
Additional charge for each ft	0.16 oz

SUBMITTAL DATA SHEET

CH-NG12MIA115VI

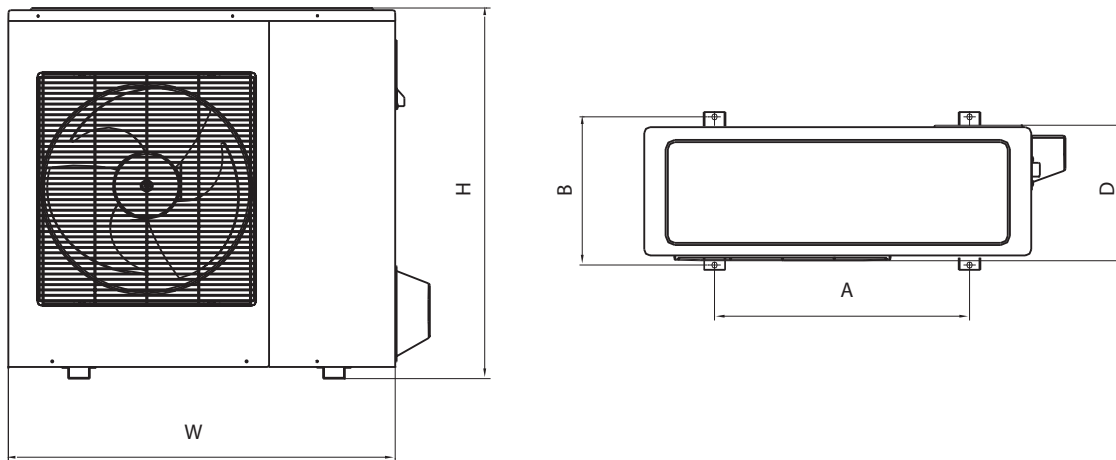
CH-NG12MIA115VO

### INDOOR UNIT



Indoor Unit Dimensions in		
W	D	H
31.57	7.44	11.69

### OUTDOOR UNIT



Outdoor Unit Dimensions WxDxH	Mounting Dimensions	
	Distance A	Distance B
31.5x13.11x21.81	20.24	13.39